

*monty*<sup>®</sup> **8800**



**ALL-IN-ONE TIRE CHANGER**

**ENGINEERING UNLEASHED™**

monty® 8800

# HIGH PRODUCTIVITY EASY TO USE LESS TECHNICIAN FATIGUE

A high-capacity center-post tire changer, the monty® 8800 from Hofmann® seamlessly integrates the high-productivity features of a tabletop model with the exceptional performance of a leverless tire changer. This sophisticated equipment includes an on-floor bead breaker, top-side bead seater, wheel lift, and camera for precise control over lower bead operations. Specializing in low-profile, ultra-high-performance (UHP), and run-flat tires (RFT), the monty® 8800 demonstrates remarkable versatility with high-aspect ratio tires. The integrated wheel lift saves time by effectively mitigating wheel damage risk, technician fatigue, and potential injuries, while smartSpeed™ technology delivers an optimal motor torque/speed combination. The innovative mount/demount system, optimized bead breaker design, and pneumatic bead depressor significantly enhance productivity levels, and further boost efficiency.



## QUICKLOK™

With the capability of secure wheel clamping across a diverse range of wheel types, this powerful electromechanical device eliminates the need for additional wheel safeguarding measures.



## SMARTSPEED™

This revolutionary, patent-protected technology optimizes the applied torque on the wheel and automatically establishes the maximum rotational speed of the wheel.

# THE ULTIMATE IN PRODUCTIVITY AND PERFORMANCE



## POWERMONT™

This leverless mounting and demounting tool is designed to coordinate seamlessly with the dynamic bead breaker, ensuring optimal positioning. Engineered with upgraded steel and fortified plastic protection, its durability is unparalleled, even over the long term. This innovative system is ideally suited for a diverse range of tire types.



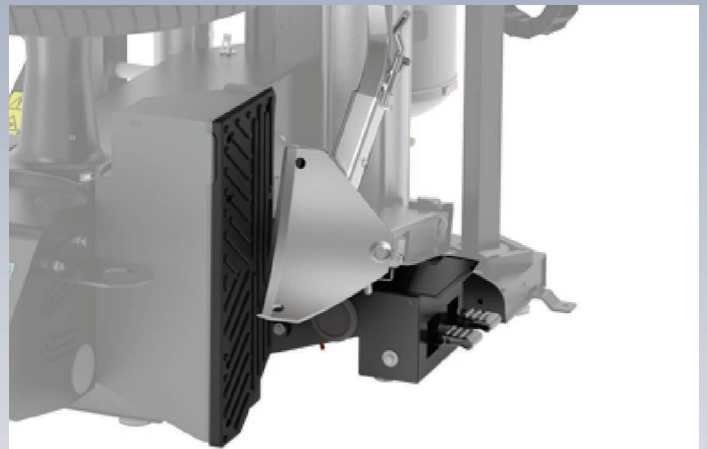
## OPTIMUM BEAD BREAKER SYSTEM

This dual-component system integrates an array of bead-breaking tools for a seamlessly optimized solution that includes the Dynamic Bead Breaker, calibrated to handle a variety of tires, and the On-Floor Bead Breaker, which can handle both standard and high-aspect ratio tires.



## DYNAMIC BEAD BREAKER

The precisely calibrated synchronized dual-disk system thoroughly aligns both upper and lower tire beads, ensuring unparalleled precision and reducing the potential for wheel damage. Adjustable tilt feature included for tires with a stiff sidewall.



## ON-FLOOR BEAD BREAKER

A conventional side-shovel bead breaker, featuring an ergonomically positioned pedal control situated a small distance from the shovel, is the quickest solution for efficiently handling a range of tires.

monty® 8800

# THE ULTIMATE IN PRODUCTIVITY AND PERFORMANCE



## CONTROL PANEL

The user-friendly control panel employs a color-coded layout and tool-matching controls to ensure easy navigation.



## PNEUMATIC BEAD PUSHER

The Pneumatic Bead Pusher is designed with a reverse-side hook to assist in lifting heavy tires, efficiently facilitating the mounting process of the upper bead.



## PNEUMATIC WHEEL LIFT

Utilizing pneumatic power, the pedal-operated wheel lift facilitates the lifting of heavy wheels, effectively minimizing technician fatigue and increasing overall productivity.



## TOP-SIDE BEAD SEATER

This ergonomic precision tool quickly injects compressed air into a tire, ensuring the bead seals tightly onto the rim.



## LOWER BEAD CAMERA VIEW

Strategically positioned, the lower bead camera offers a clear visual feed on the control panel monitor, ensuring accuracy while maximizing the efficiency of the lower bead breaking process.

### TECHNICAL SPECIFICATIONS

Part Number	EETH778AUB
Max Rim Diameter	30"   76cm
Max Tire Width	15"   38cm
Max Rim Width	13"   33cm
Max Wheel Diameter	47"   119cm
Wheel Lift Capability	154 lbs.   70kg
Power Supply	230V 1Ph 60Hz
Air Pressure Required	116-174 PSI   8-12 bar
Dimensions HxWxD	75"x63"x78"   190x160x198cm

### STANDARD ACCESSORIES

- Universal Reverse Mount Wheel Kit
- Light Truck Wheel Kit
- Smart Bead Spacer
- Cone Kit
- Reduction Cones
- Spacer For Bead Breaker (20/50/70mm)
- Plastic Rim Protector
- Bead Clamp
- Bead Breaker Blade Protector
- Lube Bucket and Brush
- powerMONT™ Tool Protector
- Bead Breaker Tool
- Cylindrical Tip Pins (19mm)

### OPTIONAL ACCESSORIES

- Tool Storage (EAA0481G79A)



US 800.251.4500

CANADA 800.267.2185



Snap-on® Total Shop Solutions offers a wide range of garage equipment solutions for workshops, garages, car dealers and tire shops, thanks to the specific solutions provided by its portfolio of premium brands. Hofmann® is a brand of TSS and is committed to product innovation and improvement. Therefore, specifications listed in this sell sheet may change without notice. ©2023 Snap-on Incorporated. Hofmann® is a trademark, registered in the United States and other countries, of Snap-on Incorporated. All rights reserved. All other marks are marks of their respective holders. ssw23009 10/2023

**HOFMANN**

HOFMANN-EQUIPMENT.COM